

Specifications

- Current rating: 5A AC,DC
- Voltage rating: 250V AC,DC
- Temperature range: -25°C ~ +85°C
- Contact resistance: 10mΩ Max.
- Insulation resistance: 1000MΩ Min.
- Withstanding voltage: 1500V AC/minute
- *Contact H.R for details*

Standards



E179987



LR113464



R 3-50004394

Ordering code

① ② ③ ④ ⑤ ⑥
C3030 F-T P E -A

- ① Series No.
- ② Terminal type: F=Female, M=Male
- ③ Plating code: T=Tin-plated, H=Gold-flash on contact area
- ④ Material: P=Phosphor bronze
- ⑤ E=Stamping before plating
- ⑥ Option code: (Refer to drawings)

① ② ③ ④ ⑤
C3030 HM A-2X 05P

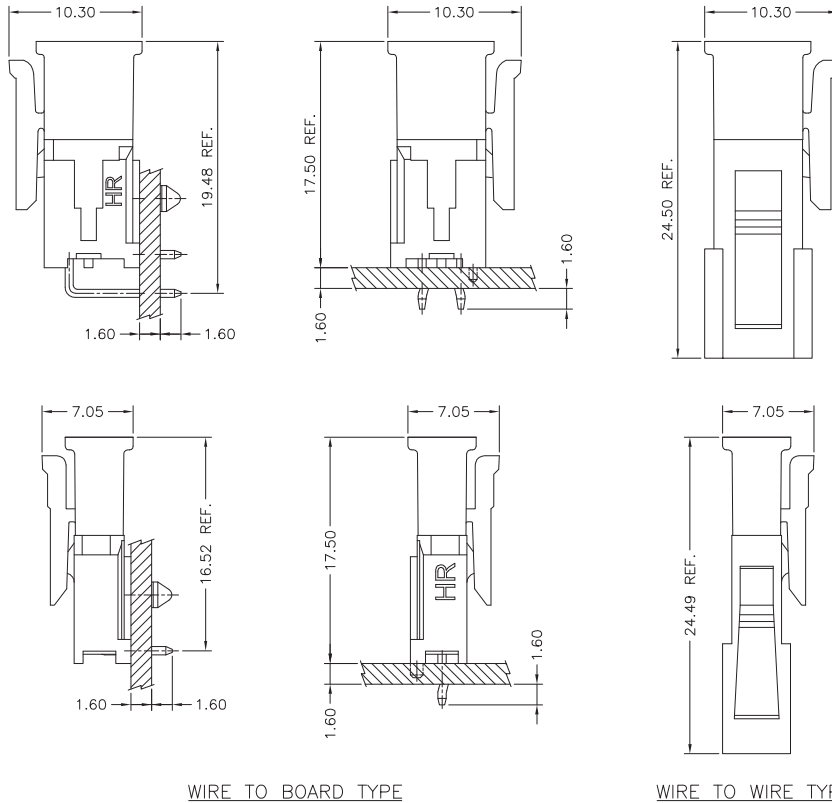
- ① Series No.
- ② Housing type: HF=Receptacle, HM=Plug
- ③ Blank=With mounting ears
A=Without mounting ears
- ④ Blank=Single row, 2X=Dual row
- ⑤ No. of circuits

① ② ③ ④ ⑤ ⑥
C3030 WV-F-2X 05P LP

- ① Series No.
- ② Connector type: WV=Vertical, WR=Right angle
- ③ F=With boss or peg
- ④ Blank=Single row, 2X=Dual row
- ⑤ No. of circuits
- ⑥ Option code:
LP=LCP, Black



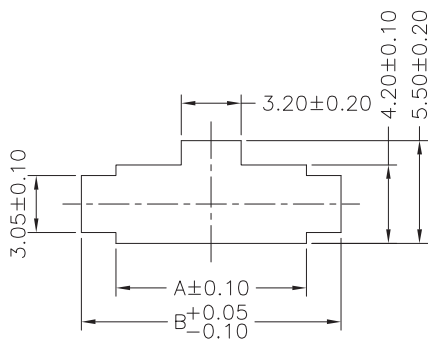
Assembly layout



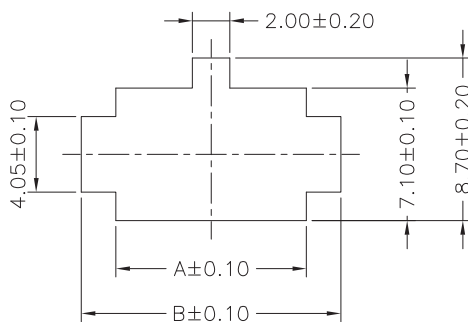
WIRE TO BOARD TYPE

WIRE TO WIRE TYPE

Panel hole layout



SINGLE ROW



DUAL ROW

PART NO.		Dimensions	
SINGLE ROW	DUAL ROW	A	B
-----	C3030HM-2X01P	4.20	7.90
C3030HM-02P	C3030HM-2X02P	7.20	10.90
C3030HM-03P	C3030HM-2X03P	10.20	13.90
C3030HM-04P	C3030HM-2X04P	13.20	16.90
C3030HM-05P	C3030HM-2X05P	16.20	19.90
C3030HM-06P	C3030HM-2X06P	19.20	22.90
C3030HM-07P	C3030HM-2X07P	22.20	25.90
C3030HM-08P	C3030HM-2X08P	25.20	28.90
C3030HM-09P	C3030HM-2X09P	28.20	31.90
C3030HM-10P	C3030HM-2X10P	31.20	34.90
C3030HM-11P	C3030HM-2X11P	34.20	37.90
C3030HM-12P	C3030HM-2X12P	37.20	40.90

Unit:mm



C3030 SERIES

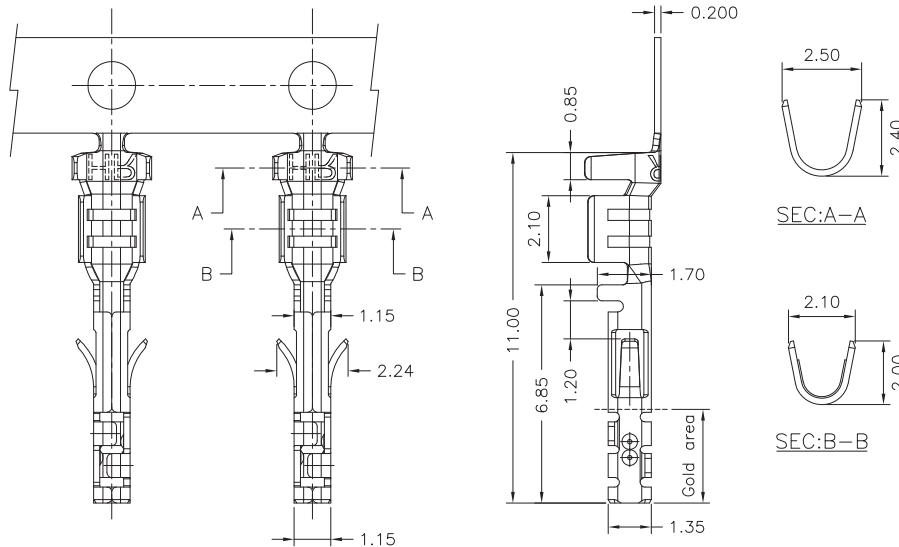
3.00mm pitch wire to wire and wire to board connector

C3030F-T

3.00mm pitch Crimp Terminal

Reference Informations:

*Used in H.R C3030HF series Housing



Ordering Information & Specifications:

Unit:mm

Part No.	Wire Range	Insulation O.D.	Material	Finish	Qty/reel
C3030F-TPE-A	AWG#20-#24	1.85mm(max)	Phosphor Bronze	Tin-plated	15,000pcs
C3030F-HPE-A	AWG#20-#24	1.85mm(max)	Phosphor Bronze	Gold-flash	15,000pcs

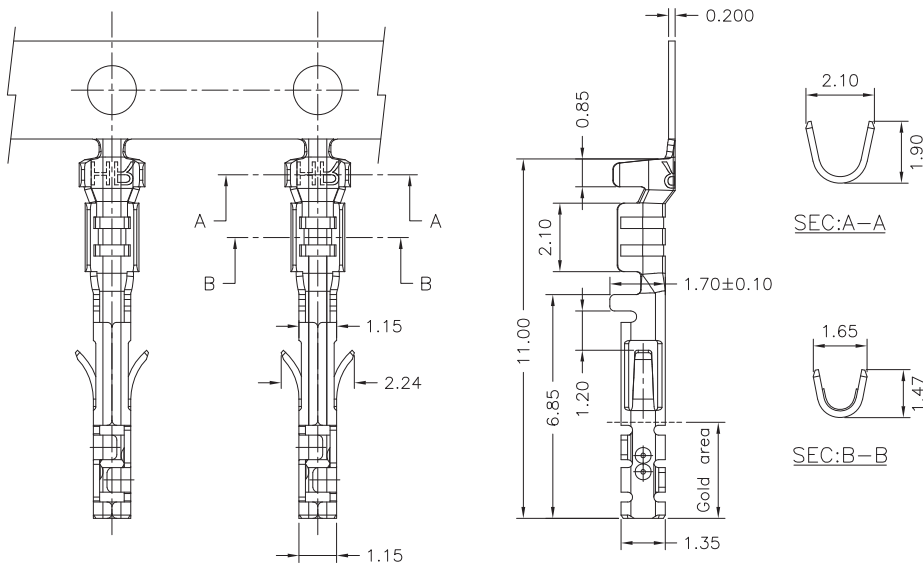
Note:E-Stamping before Tin-plated or Gold-flash

C3030F-T

3.00mm pitch Crimp Terminal

Reference Informations:

*Used in H.R C3030HF series Housing



Ordering Information & Specifications:

Unit:mm

Part No.	Wire Range	Insulation O.D.	Material	Finish	Qty/reel
C3030F-TPE-LA	AWG#26-#30	1.27mm(max)	Phosphor Bronze	Tin-plated	15,000pcs
C3030F-HPE-LA	AWG#26-#30	1.27mm(max)	Phosphor Bronze	Gold-flash	15,000pcs

Note:E-Stamping before Tin-plated or Gold-flash



C3030 SERIES

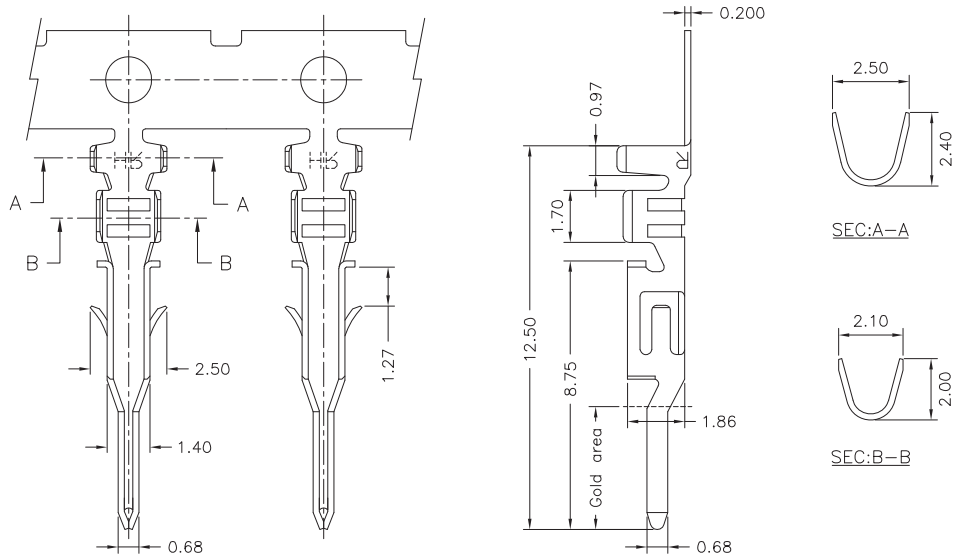
3.00mm pitch wire to wire and wire to board connector

C3030M-T

3.00mm pitch Crimp Terminal

Reference Informations:

*Used in H.R C3030HM series Housing



Ordering Information & Specifications:

Unit:mm

Part No.	Wire Range	Insulation O.D.	Material	Finish	Qty/reel
C3030M-TPE	AWG#20-#24	1.85mm(max)	Phosphor Bronze	Tin-plated	15,000pcs
C3030M-HPE	AWG#20-#24	1.85mm(max)	Phosphor Bronze	Gold-flash	15,000pcs

Note:E-Stamping before Tin-plated or Gold-flash

C3030HF

3.00mm pitch Single Row Housing

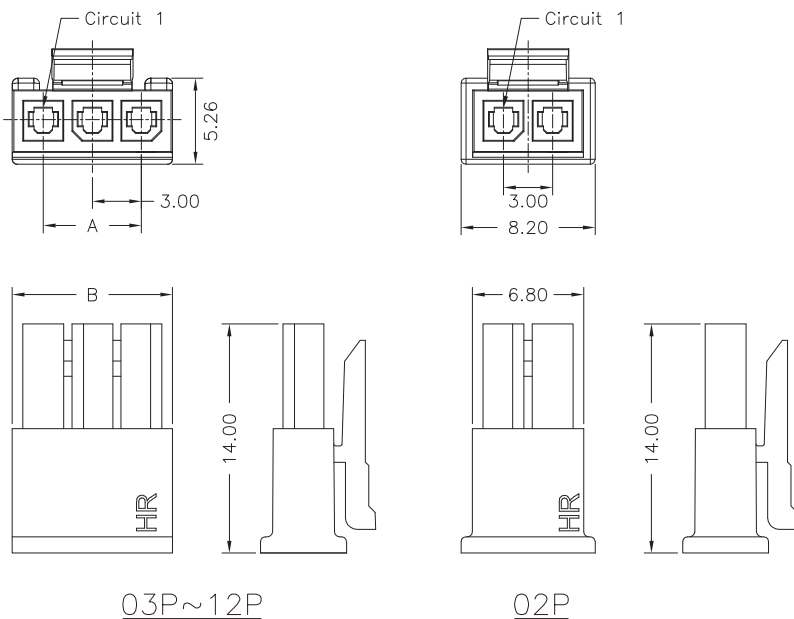
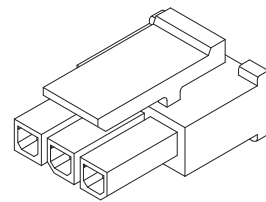
Reference Informations:

*Material: Nylon 66,UL94V-2

*Suitable H.R C3030F series Terminal

*Mates with H.R C3030HM,C3030HMA series single row Housing or C3030 series single row Wafer

C3030HF-05P		N	2	B	NP	N	00	G
		①	②	③	④	⑤	⑥	⑦
① N=Halogen Free								
② Material: 2=Nylon 66-V2								
③ Color: B=Black								
④ Plating code: NP=Non-plating								
⑤ Plating code: N=Non-plating								
⑥ Option code: 00=Standard								
⑦ Packing code: G=Bag								



Ordering Information & Dimensions:

PART NO.	Dimensions	
	A	B
C3030HF-02P	3.00	6.80
C3030HF-03P	6.00	9.80
C3030HF-04P	9.00	12.80
C3030HF-05P	12.00	15.80
C3030HF-06P	15.00	18.80
C3030HF-07P	18.00	21.80
C3030HF-08P	21.00	24.80
C3030HF-09P	24.00	27.80
C3030HF-10P	27.00	30.80
C3030HF-11P	30.00	33.80
C3030HF-12P	33.00	36.80

Unit:mm



C3030 SERIES

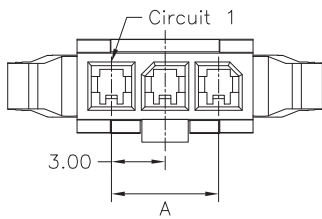
3.00mm pitch wire to wire and wire to board connector

C3030HM

3.00mm pitch Single Row Housing

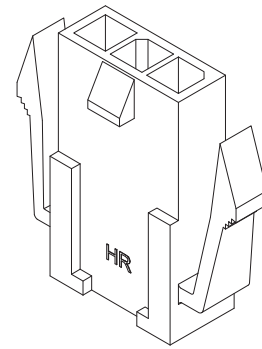
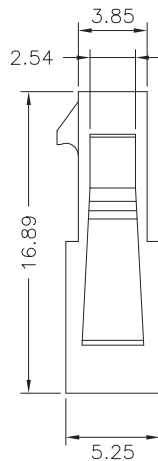
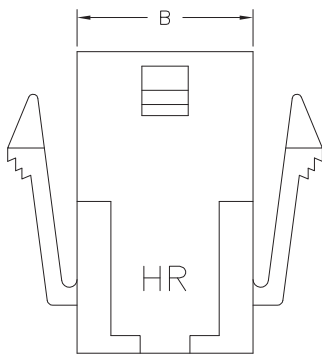
Reference Informations:

- *Material: Nylon 66,UL94V-2
- *Suitable H.R C3030M series Terminal
- *Mates with H.R C3030HF series single row Housing



	C3030HM-05P	N	2	B	NP	N	00	G
		①	②	③	④	⑤	⑥	⑦

① N=Halogen Free
② Material: 2=Nylon 66-V2
③ Color: B=Black
④ Plating code: NP=Non-plating
⑤ Plating code: N=Non-plating
⑥ Option code: 00=Standard
⑦ Packing code: G=Bag



Ordering Information & Dimensions:

PART NO.	Dimensions	
	A	B
C3030HM-02P	3.00	6.85
C3030HM-03P	6.00	9.85
C3030HM-04P	9.00	12.85
C3030HM-05P	12.00	15.85
C3030HM-06P	15.00	18.85
C3030HM-07P	18.00	21.85
C3030HM-08P	21.00	24.85
C3030HM-09P	24.00	27.85
C3030HM-10P	27.00	30.85
C3030HM-11P	30.00	33.85
C3030HM-12P	33.00	36.85

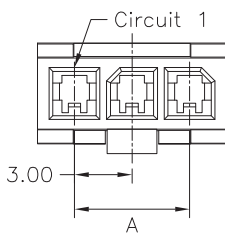
Unit:mm

C3030HMA

3.00mm pitch Single Row Housing

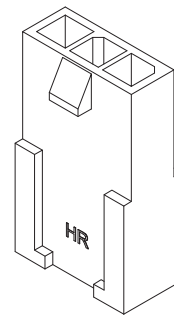
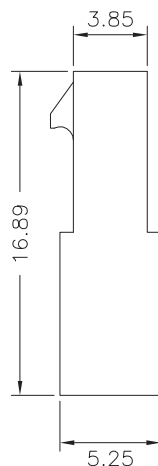
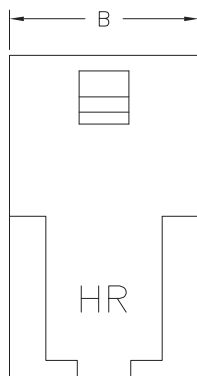
Reference Informations:

- *Material: Nylon 66,UL94V-2
- *Suitable H.R C3030M series Terminal
- *Mates with H.R C3030HF series single row Housing



	C3030HMA-05P	N	2	B	NP	N	00	G
		①	②	③	④	⑤	⑥	⑦

① N=Halogen Free
② Material: 2=Nylon 66-V2
③ Color: B=Black
④ Plating code: NP=Non-plating
⑤ Plating code: N=Non-plating
⑥ Option code: 00=Standard
⑦ Packing code: G=Bag



Ordering Information & Dimensions:

PART NO.	Dimensions	
	A	B
C3030HMA-02P	3.00	6.85
C3030HMA-03P	6.00	9.85
C3030HMA-04P	9.00	12.85
C3030HMA-05P	12.00	15.85
C3030HMA-06P	15.00	18.85
C3030HMA-07P	18.00	21.85
C3030HMA-08P	21.00	24.85
C3030HMA-09P	24.00	27.85
C3030HMA-10P	27.00	30.85
C3030HMA-11P	30.00	33.85
C3030HMA-12P	33.00	36.85

Unit:mm



C3030 SERIES

3.00mm pitch wire to wire and wire to board connector

C3030WV-F

3.00mm pitch 180° Single Row Wafer

Reference Informations:

*Material: Pin: Brass/Tin-plated

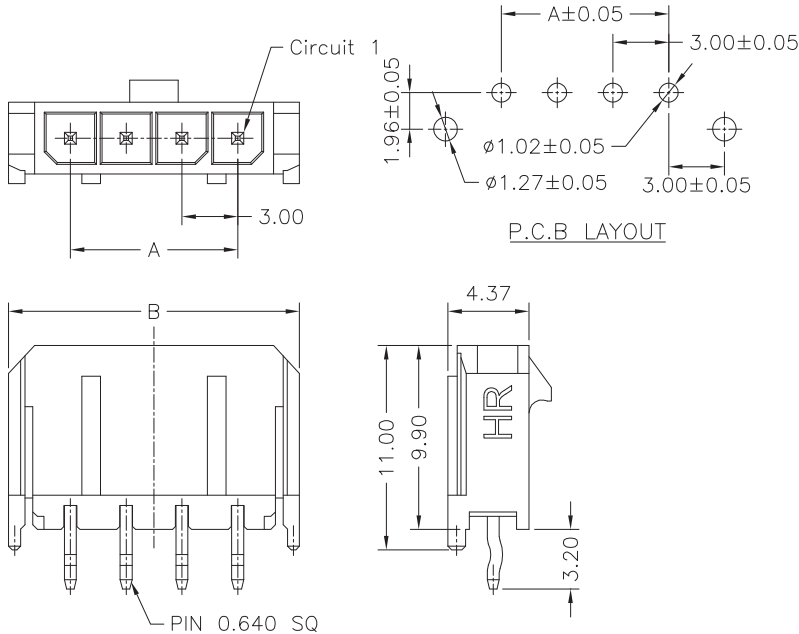
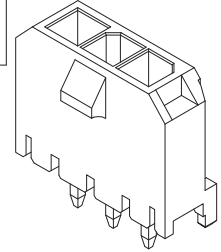
Wafer: PBT15%GF,UL94V-0

*Mates with H.R C3030HF series single row Housing

*LCP is available

	C3030WV-F-05P						
	N	P	B	T1	N	00	B
	①	②	③	④	⑤	⑥	⑦

① N=Halogen Free
② Material: P=PBT, L=LCP
③ Color: B=Black
④ Plating code: T1=Tin-plated
⑤ Plating code: N=Non-plating
⑥ Option code: 00=Standard
⑦ Packing code: B=Tray



Ordering Information & Dimensions:

PART NO.	Dimensions	
	A	B
C3030WV-F-02P	3.00	9.65
C3030WV-F-03P	6.00	12.65
C3030WV-F-04P	9.00	15.65
C3030WV-F-05P	12.00	18.65
C3030WV-F-06P	15.00	21.65
C3030WV-F-07P	18.00	24.65
C3030WV-F-08P	21.00	27.65
C3030WV-F-09P	24.00	30.65
C3030WV-F-10P	27.00	33.65
C3030WV-F-11P	30.00	36.65
C3030WV-F-12P	33.00	39.65

Unit:mm

C3030WR-F

3.00mm pitch 90° Single Row Wafer

Reference Informations:

*Material: Pin: Brass/Tin-plated

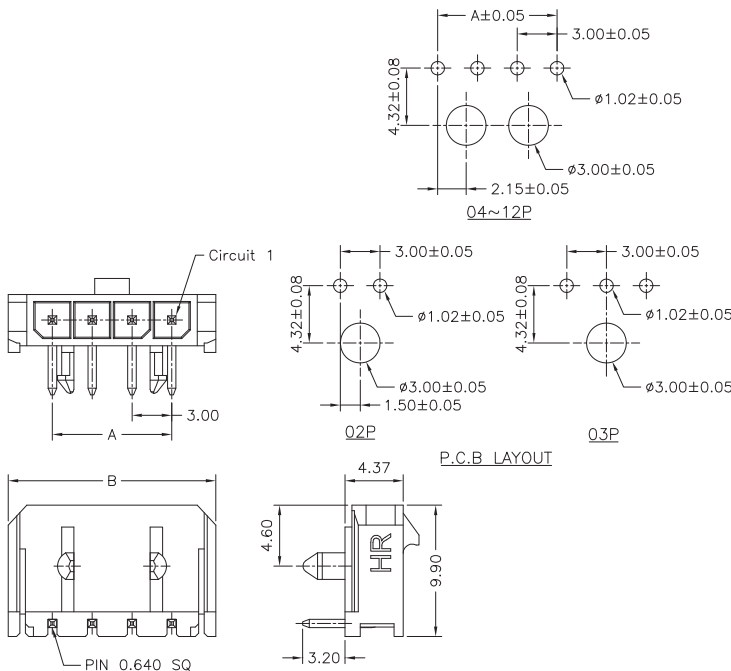
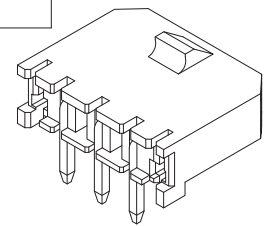
Wafer: PBT15%GF,UL94V-0

*Mates with H.R C3030HF series single row Housing

*LCP is available

	C3030WR-F-05P						
	N	P	B	T1	N	00	B
	①	②	③	④	⑤	⑥	⑦

① N=Halogen Free
② Material: P=PBT, L=LCP
③ Color: B=Black
④ Plating code: T1=Tin-plated
⑤ Plating code: N=Non-plating
⑥ Option code: 00=Standard
⑦ Packing code: B=Tray



Ordering Information & Dimensions:

PART NO.	Dimensions	
	A	B
C3030WR-F-02P	3.00	9.65
C3030WR-F-03P	6.00	12.65
C3030WR-F-04P	9.00	15.65
C3030WR-F-05P	12.00	18.65
C3030WR-F-06P	15.00	21.65
C3030WR-F-07P	18.00	24.65
C3030WR-F-08P	21.00	27.65
C3030WR-F-09P	24.00	30.65
C3030WR-F-10P	27.00	33.65
C3030WR-F-11P	30.00	36.65
C3030WR-F-12P	33.00	39.65

Unit:mm



C3030 SERIES

3.00mm pitch wire to wire and wire to board connector

C3030HF-2

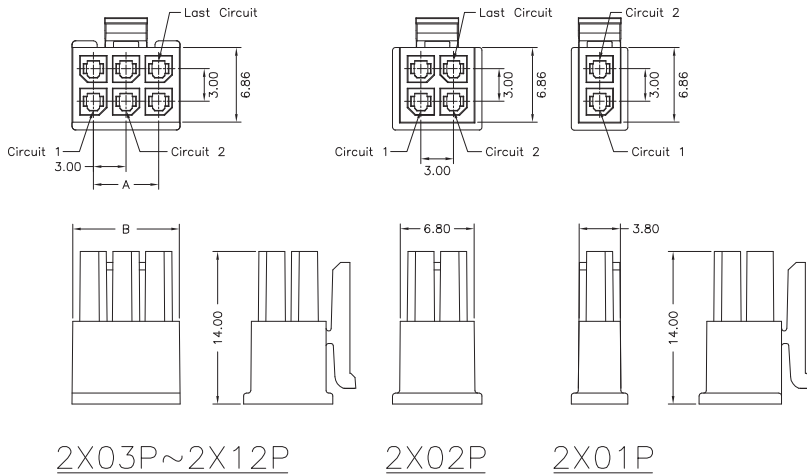
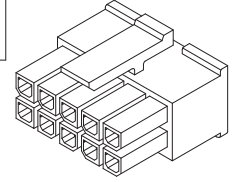
3.00mm pitch Dual Row Housing

Reference Informations:

- *Material: Nylon 66,UL94V-2
- *Suitable H.R C3030F series Terminal
- *Mates with H.R C3030HM series dual row Housing or C3030 series dual row Wafer

	C3030HF-2X05P						
	N	2	B	NP	N	00	G
	①	②	③	④	⑤	⑥	⑦

① N=Halogen Free
② Material: 2=Nylon 66-V2
③ Color: B=Black
④ Plating code: NP=Non-plating
⑤ Plating code: N=Non-plating
⑥ Option code: 00=Standard
⑦ Packing code: G=Bag



Ordering Information & Dimensions:

PART NO.	Dimensions	
	A	B
C3030HF-2X01P	-----	3.80
C3030HF-2X02P	3.00	6.80
C3030HF-2X03P	6.00	9.80
C3030HF-2X04P	9.00	12.80
C3030HF-2X05P	12.00	15.80
C3030HF-2X06P	15.00	18.80
C3030HF-2X07P	18.00	21.80
C3030HF-2X08P	21.00	24.80
C3030HF-2X09P	24.00	27.80
C3030HF-2X10P	27.00	30.80
C3030HF-2X11P	30.00	33.80
C3030HF-2X12P	33.00	36.80

Unit:mm

C3030HM-2

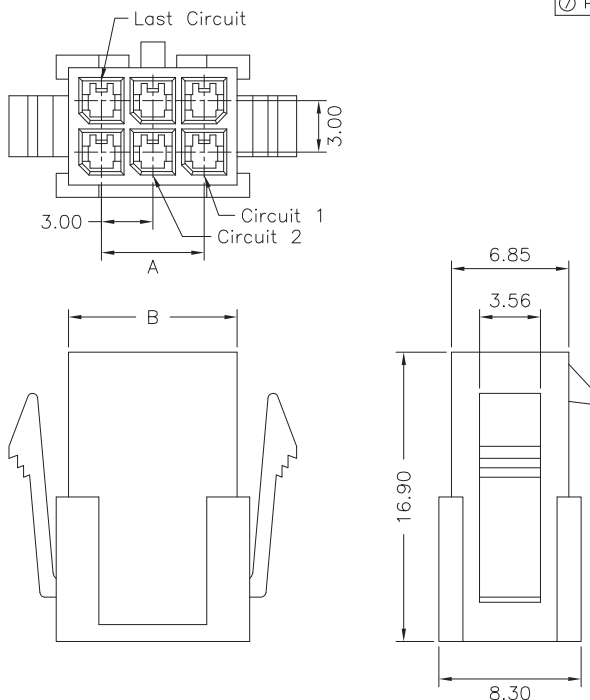
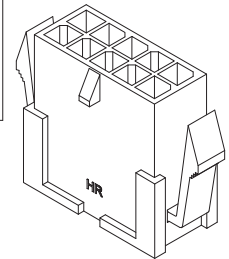
3.00mm pitch Dual Row Housing

Reference Informations:

- *Material: Nylon 66,UL94V-2
- *Suitable H.R C3030M series Terminal
- *Mates with H.R C3030HF series dual row Housing

	C3030HM-2X05P						
	N	2	B	NP	N	00	G
	①	②	③	④	⑤	⑥	⑦

① N=Halogen Free
② Material: 2=Nylon 66-V2
③ Color: B=Black
④ Plating code: NP=Non-plating
⑤ Plating code: N=Non-plating
⑥ Option code: 00=Standard
⑦ Packing code: G=Bag



Ordering Information & Dimensions:

PART NO.	Dimensions	
	A	B
C3030HM-2X01P	-----	3.85
C3030HM-2X02P	3.00	6.85
C3030HM-2X03P	6.00	9.85
C3030HM-2X04P	9.00	12.85
C3030HM-2X05P	12.00	15.85
C3030HM-2X06P	15.00	18.85
C3030HM-2X07P	18.00	21.85
C3030HM-2X08P	21.00	24.85
C3030HM-2X09P	24.00	27.85
C3030HM-2X10P	27.00	30.85
C3030HM-2X11P	30.00	33.85
C3030HM-2X12P	33.00	36.85

Unit:mm



C3030 SERIES

3.00mm pitch wire to wire and wire to board connector

C3030MHA-2

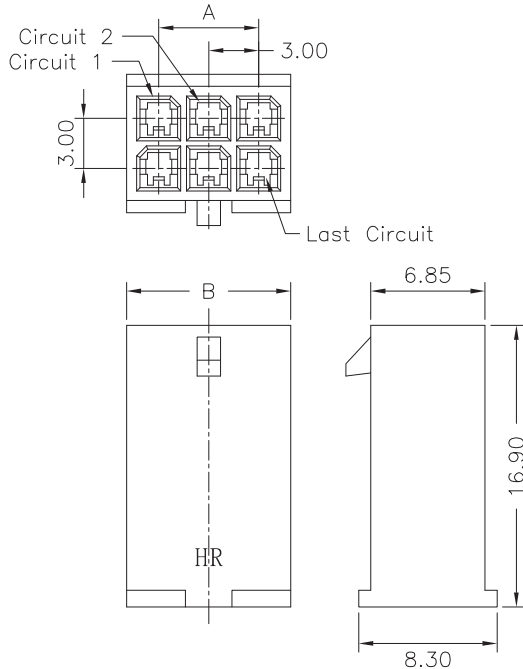
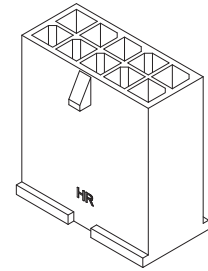
3.00mm pitch Dual Row Housing

Reference Informations:

- *Material: Nylon 66,UL94V-2
- *Suitable H.R C3030M series Terminal
- *Mates with H.R C3030HF series dual row Housing

	C3030HMA-2X05P	N	2	B	NP	N	00	G
		①	②	③	④	⑤	⑥	⑦

① N=Halogen Free
② Material: 2=Nylon 66-V2
③ Color: B=Black
④ Plating code: NP=Non-plating
⑤ Plating code: N=Non-plating
⑥ Option code: 00=Standard
⑦ Packing code: G=Bag



Ordering Information & Dimensions:

PART NO.	Dimensions	
	A	B
C3030HMA-2X01P	-----	3.85
C3030HMA-2X02P	3.00	6.85
C3030HMA-2X03P	6.00	9.85
C3030HMA-2X04P	9.00	12.85
C3030HMA-2X05P	12.00	15.85
C3030HMA-2X06P	15.00	18.85
C3030HMA-2X07P	18.00	21.85
C3030HMA-2X08P	21.00	24.85
C3030HMA-2X09P	24.00	27.85
C3030HMA-2X10P	27.00	30.85
C3030HMA-2X11P	30.00	33.85
C3030HMA-2X12P	33.00	36.85

Unit:mm

C3030WV-F-2

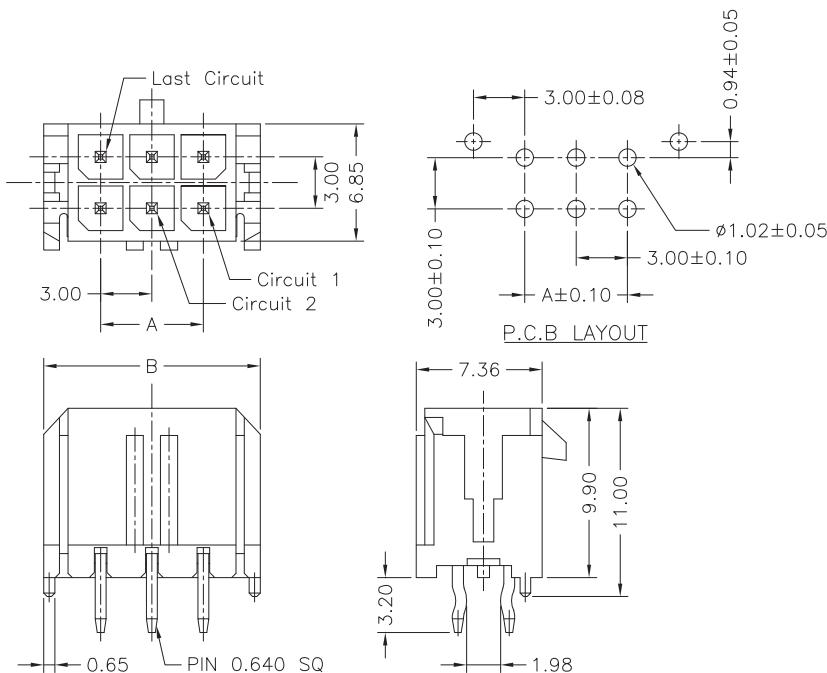
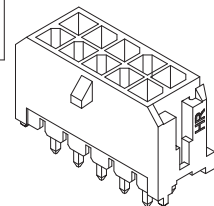
3.00mm pitch 180° Dual Row Wafer

Reference Informations:

- *Material: Pin: Brass/Tin-plated
Wafer: PBT30%GF,UL94V-0
- *Mates with H.R C3030HF series dual row Housing
- *LCP is available

	C3030WV-F-2X05P	N	P	B	T1	N	00	B
		①	②	③	④	⑤	⑥	⑦

① N=Halogen Free
② Material: P=PBT, L=LCP
③ Color: B=Black
④ Plating code: T1=Tin-plated
⑤ Plating code: N=Non-plating
⑥ Option code: 00=Standard
⑦ Packing code: B=Tray



Ordering Information & Dimensions:

PART NO.	Dimensions	
	A	B
C3030WV-F-2X01P	-----	6.65
C3030WV-F-2X02P	3.00	9.65
C3030WV-F-2X03P	6.00	12.65
C3030WV-F-2X04P	9.00	15.65
C3030WV-F-2X05P	12.00	18.65
C3030WV-F-2X06P	15.00	21.65
C3030WV-F-2X07P	18.00	24.65
C3030WV-F-2X08P	21.00	27.65
C3030WV-F-2X09P	24.00	30.65
C3030WV-F-2X10P	27.00	33.65
C3030WV-F-2X11P	30.00	36.65
C3030WV-F-2X12P	33.00	39.65

Unit:mm



C3030 SERIES

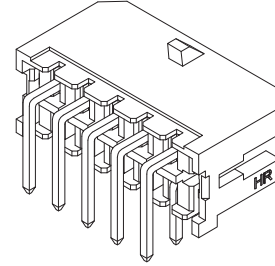
3.00mm pitch wire to wire and wire to board connector

C3030WR-F-2

3.00mm pitch 90° Dual Row Wafer

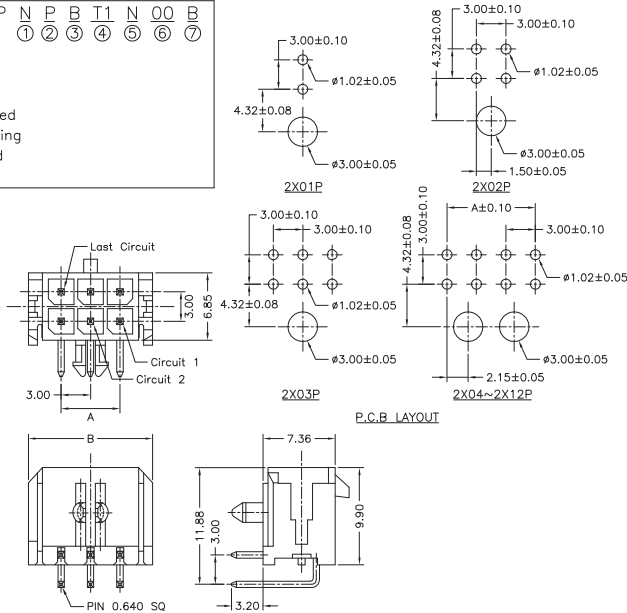
Reference Informations:

- *Material: Pin: Brass/Tin-plated
Wafer: PBT30%GF,UL94V-0
- *Mates with H.R C3030HF series dual row Housing
- *LCP is available



C3030WR-F-2X05P N P B T1 N 00 B
① ② ③ ④ ⑤ ⑥ ⑦

- ① N=Halogen Free
- ② Material: P=PBT, L=LCP
- ③ Color: B=Black
- ④ Plating code: T1=Tin-plated
- ⑤ Plating code: N=Non-plating
- ⑥ Option code: 00=Standard
- ⑦ Packing code: B=Tray



Ordering Information & Dimensions:

PART NO.	Dimensions	
	A	B
C3030WR-F-2X01P	----	6.65
C3030WR-F-2X02P	3.00	9.65
C3030WR-F-2X03P	6.00	12.65
C3030WR-F-2X04P	9.00	15.65
C3030WR-F-2X05P	12.00	18.65
C3030WR-F-2X06P	15.00	21.65
C3030WR-F-2X07P	18.00	24.65
C3030WR-F-2X08P	21.00	27.65
C3030WR-F-2X09P	24.00	30.65
C3030WR-F-2X10P	27.00	33.65
C3030WR-F-2X11P	30.00	36.65
C3030WR-F-2X12P	33.00	39.65

Unit:mm